

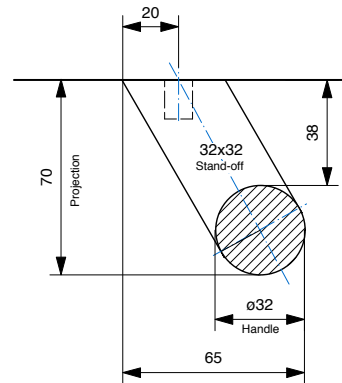
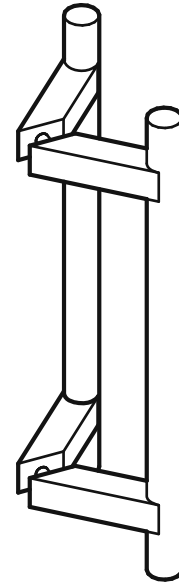


DDA Compliant - 316 Marine Grade Stainless Steel

CODE	SECTION	PROJECTION	LENGTH	CTC
BAH-127/A	Dia 32 38	70 76	300	200
BAH-127/B	Dia 32 38	70 76	400	300
BAH-127/C	Dia 32 38	70 76	500	400
BAH-127/D	Dia 32 38	70 76	600	500
BAH-127/E	Dia 32 38	70 76	700	600
BAH-127/F	Dia 32 38	70 76	800	700
BAH-127/G	Dia 32 38	70 76	900	800
BAH-127/H	Dia 32 38	70 76	1000	900
BAH-127/I	Dia 32 38	70 76	1100	1000
BAH-127/J	Dia 32 38	70 76	1200	1100
BAH-127/K	Dia 32 38	70 76	1300	1200
BAH-127/L	Dia 32 38	70 76	1400	1300
BAH-127/M	Dia 32 38	70 76	1500	1400
BAH-127/N	Dia 32 38	70 76	1600	1500
BAH-127/O	Dia 32 38	70 76	1700	1600
BAH-127/P	Dia 32 38	70 76	1800	1700
BAH-127/Q	Dia 32 38	70 76	1900	1800
BAH-127/R	Dia 32 38	70 76	2000	1900
BAH-127/S	Dia 32 38	70 76	2100	2000
BAH-127/T	Dia 32 38	70 76	2200	2100
BAH-127/U	Dia 32 38	70 76	2300	2200

• Special sizes available upon request

FINISHES	
Standard:	SSS/PSS
Options:	Powdercoat Dulux
Electroplate:	SBN ORB BN CO

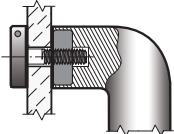


How to specify

Example:	PRODUCT CODE	LENGTH	FINISH	FIXING	DOOR TYPE
	BAH-127/A	300mm	SSS	B	GD

D = DISK FIX

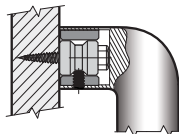
Disk fixed - **Single**



For Solid or Tube Handles

C = CONCEALED FIX

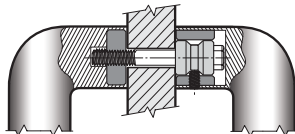
Coach Bolt fixed - **Single**



For Solid or Tube Handles

B = BACK to BACK FIX

Back to Back fixed - **Pair**



For Solid or Tube Handles

PLEASE SPECIFY THE DOOR TYPE

GD: Glass

TM: Timber

AL: Aluminium